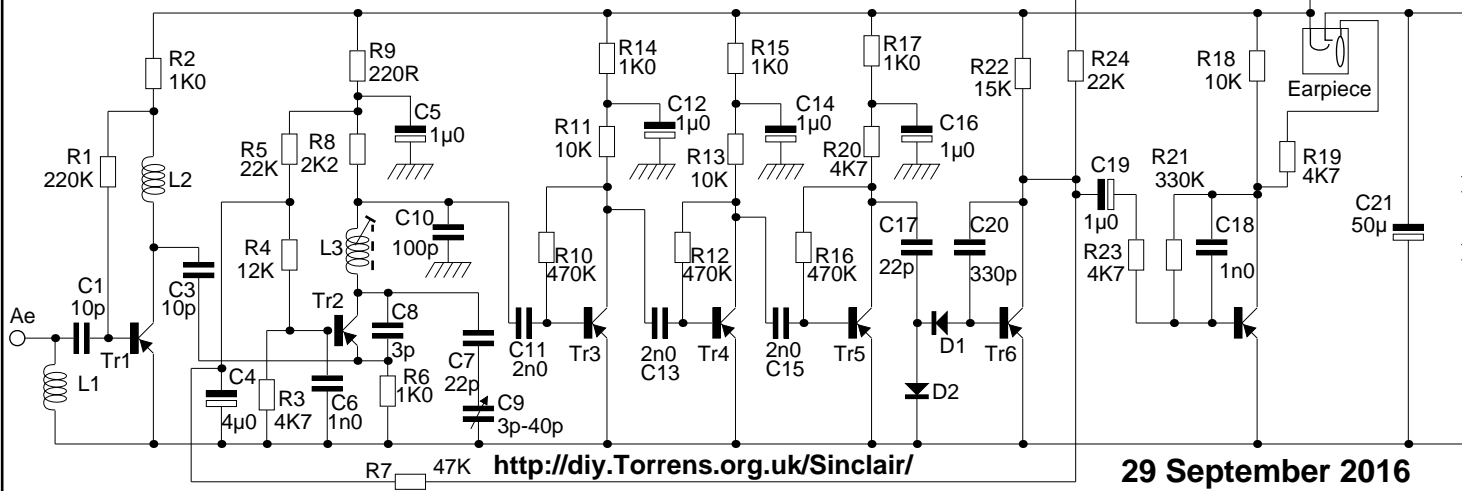


Sinclair Radionics Micro-FM circuit

redrawn by Richard Torrens



29 September 2016